



Good Directions

CLOCKS - CUPOLAS - GRP STRUCTURES - WEATHERVANES - FINIALS

Pillar Clocks Price List

All prices shown excluding VAT

Head Office: Good Directions Limited, Time House, 19 Hillsons Road, Botley, Hampshire, SO30 2DY
Southern Office: 01489 797773 - **Midlands Office:** 01629 824282 - **Fax:** 01489 796700
Email: enquiries@good-directions.co.uk - **Website:** www.good-directions.co.uk

Good Directions Ltd

Albert Double Sided Pillar Clock

Dial Housing

- Moulded in GRP housing finished in any BS reference

Post

- Cast Iron base with steel tube and cast detailing to the underside of the dial housing, all painted to any BS reference

Dial design

- A choice of dial designs including our Skeleton, Traditional and Classic styles

Mechanisms

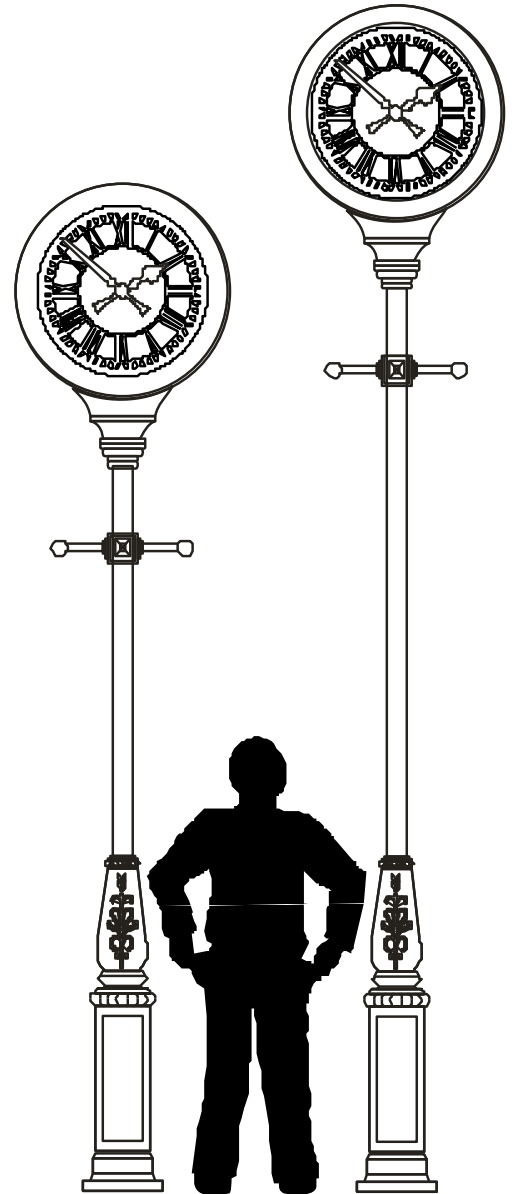
- 240v mains powered high torque brass and stainless steel clock mechanisms produced for exterior use

Technical

- Supplied complete with one of our Resynchroniser v4 LED control units which will automatically restart the clocks at the correct time after a power failure, as well as stopping and starting for automatic BST / GMT time changes

Delivery

- Inclusive to mainland UK



Order Code	AP460	AP610	AP760
Dial Diameter	460mm	610mm	760mm
Overall height	3000 - 4800mm		
Cost	£3,000	£3,100	£3,400
Internal Illumination	£120		
Light Sensor	£20		
Protective Cover Glass (per side)	£75	£100	£135

Head Office: Good Directions Limited, Time House, 19 Hillsons Road, Botley, Hampshire, SO30 2DY
Southern Office: 01489 797773 - **Midlands Office:** 01629 824282 - **Fax:** 01489 796700
Email: enquiries@good-directions.co.uk - **Website:** www.good-directions.co.uk

Good Directions Ltd

William Four Sided Pillar Clock

Dial Housing

- Moulded in GRP housing finished in any BS reference

Post

- Cast Iron base with steel tube and cast detailing to the underside of the dial housing, all painted to any BS reference

Dial design

- A choice of dial designs including our Skeleton, Traditional and Classic styles

Mechanisms

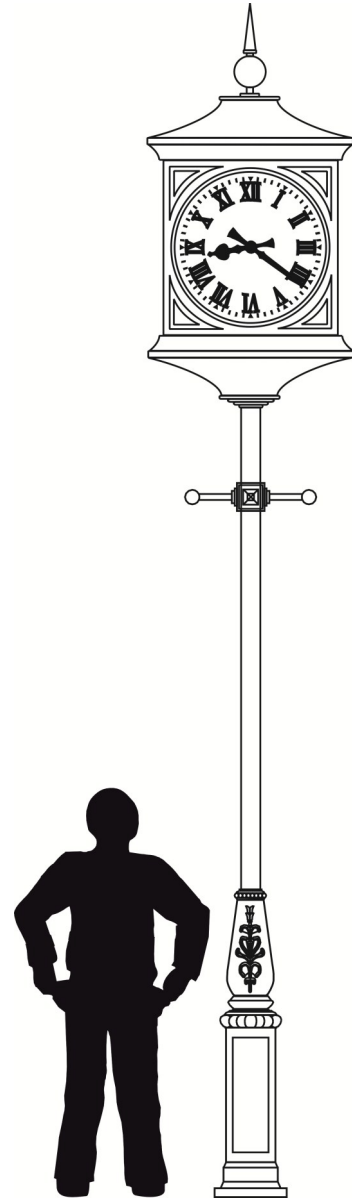
- 240v mains powered high torque brass and stainless steel clock mechanisms produced for exterior use

Technical

- Supplied complete with one of our Resynchroniser v4 LED control units which will automatically restart the clocks at the correct time after a power failure, as well as stopping and starting for automatic BST / GMT time changes

Delivery

- Inclusive to mainland UK



Order Code	AP460	AP610
Dial Diameter	460mm	610mm
Overall height	4800 - 5600mm	
Cost	£5,500	£6,500
Internal Illumination	£120	
Light Sensor	£20	
Protective Cover Glass (per side)	£75	£100

Head Office: Good Directions Limited, Time House, 19 Hillsons Road, Botley, Hampshire, SO30 2DY
Southern Office: 01489 797773 - **Midlands Office:** 01629 824282 - **Fax:** 01489 796700
Email: enquiries@good-directions.co.uk - **Website:** www.good-directions.co.uk

Good Directions Ltd

George Four Sided Pillar Clock

Dial Housing

- Moulded in GRP housing finished in any BS reference

Post

- Cast Aluminium base and main tube and cast all powder coated to any BS reference

Dial design

- A choice of dial designs including our Skeleton, Traditional and Classic styles

Mechanisms

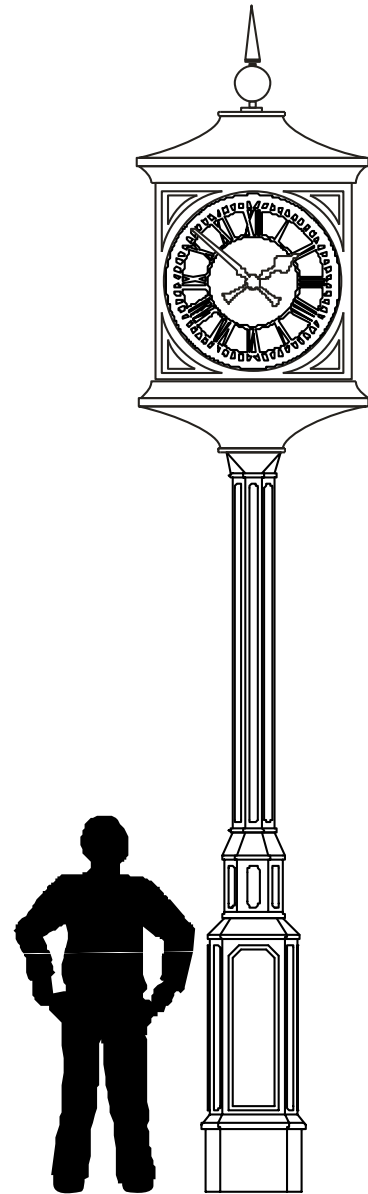
- 240v mains powered high torque brass and stainless steel clock mechanisms produced for exterior use

Technical

- Supplied complete with one of our Resynchroniser v4 LED control units which will automatically restart the clocks at the correct time after a power failure, as well as stopping and starting for automatic BST / GMT time changes

Delivery

- Inclusive to mainland UK



Order Code	GP610	GP760
Dial Diameter	610mm	760mm
Overall height	5600mm	
Cost	£9,000	£10,000
Internal Illumination	£120	
Light Sensor	£20	
Protective Cover Glass (per side)	£100	£135

Head Office: Good Directions Limited, Time House, 19 Hillsons Road, Botley, Hampshire, SO30 2DY
Southern Office: 01489 797773 - **Midlands Office:** 01629 824282 - **Fax:** 01489 796700
Email: enquiries@good-directions.co.uk - **Website:** www.good-directions.co.uk